

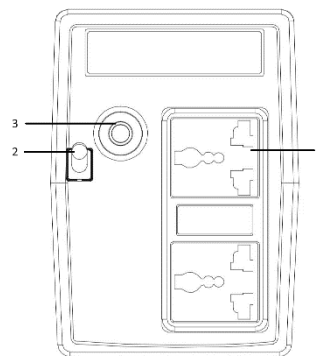


## Features

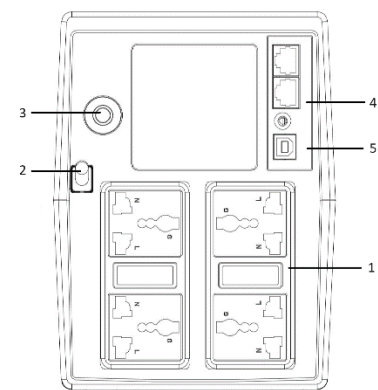
- Tower case with LED Display as default (LCD display - optional)
- Microprocessor - based digital control
- Boost and buck AVR for voltage stabilization
- Auto sensing frequency
- Wide input voltage range
- Power - on self test
- Cold start
- Auto restart when mains power is restored
- Auto track mains phase to ensure that inverter output voltage has same phase with utility voltage reducing transfer time and peak surge
- Intelligent battery management : battery temperature compensation to extend the battery life; three stage charging to shorten recharge time
- Short circuit , battery overcharge / overdischarge, overload , surge protections
- Automatic charging in OFF mode
- Optional no - load shutdown
- Optional USB communication port and RJ45 protection (600VA-2000VA)
- Unattended safety shutdown: system alarm and auto Power-On/Off by USB interface communicating with PC (600VA-2000VA - optional)

## Rear panel

1. Output socket
2. AC input
3. Fuse
4. Tel/Modem/Fax surge protection (Optional)
5. USB (Optional)



500-600VA



1000-2000VA

## Specification

## 500VA-2000VA

MODEL	HD-500F	HD-600VA	HD-1000VA	HD-1500VA	HD-2000VA
Capacity	500VA/300W	600VA/360W	1000VA/600W	1500VA/900W	2000VA/1200W
Technology	Line interactive – Offline (with AVR)				
<b>INPUT</b>					
Voltage	220V/230V/240V (162-295Vac)				
Frequency	50Hz/60Hz ±10% (Auto-sensing)				
<b>OUTPUT</b>					
Voltage	220V/230V/240V ±10%				
Frequency	50Hz/60Hz ±1% (Auto-sensing)				
Transfer time	2 – 6ms				
Waveform	Mains mode: Pure sine wave; Battery mode: Simulated sine wave				
Outlet sockets	Universal x 2		Universal x 4		
<b>BATTERY</b>					
Type	Sealed lead-acid maintenance free battery				
DC voltage	12V		24V		
Backup time (for 1 PC)	20-25mins		30-40mins	40-55mins	
Backup time at half load	8-10mins		15-20mins	10-12mins	
Recharge time	6-8h				
<b>INDICATORS</b>					
AC mode	Green LED lighting				
Battery mode	Yellow LED lighting				
Low battery at Battery mode	Yellow LED flashing every second				
Fault	Red LED lighting				
Battery fault at AC mode	Red LED flashing 3 times every 2 seconds				
Battery weak at AC mode	Red LED flashing every 2 seconds for 30 seconds				
Overload	Red LED flashing every twice every second				
<b>ALARM</b>					
Battery mode	Sounding every 4 seconds				
Low battery	Sounding every second				
Fault	Continuously sounding				
<b>PHYSICAL</b>					
Dimension (D*W*H) (mm)	280*100*141		328*136*186		
Net weight (kg)	3.7	4.2	8.8	9.4	10.2
<b>OTHERS</b>					
Noise	≤ 45dB (1m)				
Humidity	20 – 90% RH @ 0-40°C (non-condensing)				
Protections	Short-circuit, battery overcharge, over discharge, overload, surge				
RJ45/USB (optional)	Support Windows 98/2000/2003/XP/Vista/2008/Windows 7/8/10				

\* All specifications subject to change without notice.

2024@vesion